

BEST PACKAGING®

PACKAGING EQUIPMENT SPECIALISTS



**Certified Refurbished
Wexxar Bel® BEL 5150
Semi-Automatic Case Erector
w/ Integrated Top & Bottom
Case Taper**

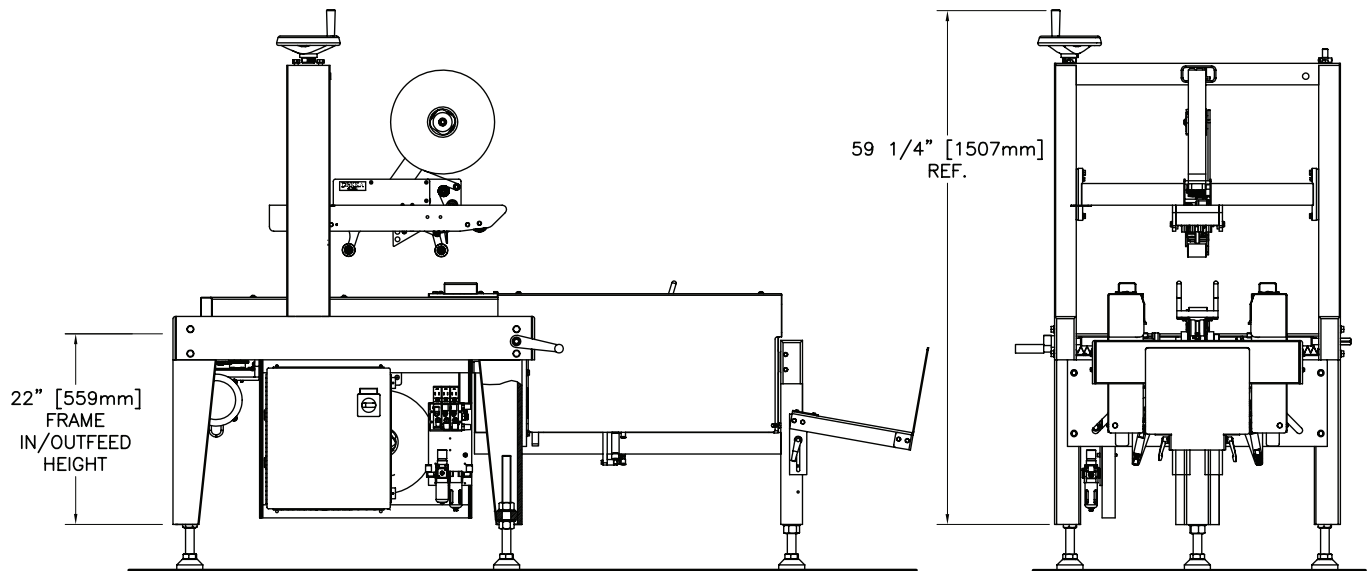
**Best Packaging Inc
576 W. Taylor Road
Romeoville, IL 60446
(888) 930-BEST
BestPackaging.com**

Refurbished BEL 5150 Semi-Automatic Case Erector w/ Top & Bottom Case Taper by Wexxar Bel®

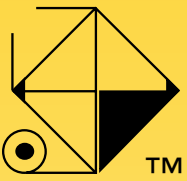
Specifications

	Length	Width	Height
Minimum Case Size	8" (203 mm)	5" (127 mm)	5" (127 mm)
Maximum Case Size	26" (660 mm)	18" (457 mm)	21" (533 mm)
Minimum infeed/outfeed height*			25" (635 mm)
Maximum infeed/outfeed height*			32" (813 mm)
Machine Dimensions	73" (1,854.2 mm)	33" (838.2 mm)	60" (1524 mm)
Machine Weight	600 lbs (272.2 kg)		
Air	0.13 ft ³ per cycle at 90 PSI		
Electrical	120v, 1PH, 60 Hz - 8 amp draw		
Speeds	Up to 15 cases per minute		

Note: Casters add 4" to minimum and maximum height



The detail of the product(s), descriptions or specifications (for example weight, color, size, etc.) are only approximate values based upon a "standard model" of the representative product(s)/feature(s). There may be slight variations in the actual product design, dimensions, and functionality as compared to the information shown on our website and/or any supplementary product documentation, including but not limited to product brochures and spec sheets.



BEST PACKAGING®

WHY WE'RE THE BEST

Since 1997, we have been consulting, designing and implementing packaging solutions to offer the best for your operations. We represent a variety of equipment manufacturers, so as to ensure we're matching the right solution for your packaging needs. We only align ourselves with quality brands to make sure we are delivering the best value. It is our goal to provide the highest quality service to make your job easier and more productive.

Over 150 years of industrial experience, collectively.

We represent multiple brands and our analysis is unbiased. We can match the best systems with your needs based on the versatility of the job.


With preventative maintenance, operator training, and 24/7 support, we're with you every step of the way!


Steve Kudia, Owner of Best Packaging, serves on the ASTM committee. As part of a prestigious worldwide network of technical experts, he aims to make sure processes stay efficient by monitoring trends and educating customers on how they can improve their performance.

Equipment We Sell & Service

- Stretch Wrappers
- Shrink Wrappers
- Tray and Case Loaders
- Tray & Case Erectors
- Corrugated Case Formers
- Conveyors
- Palletizers
- Robotics
- Strappers & Banders
- Much, much more!

 @BestPackagingInc

 @Best_Packaging

 /Best-Packaging-Inc