

BEST PACKAGING



**Certified Refurbished
Great Lakes TS37 Side Seal
Horizontal Shrink Wrapper**

**Best Packaging Inc
(888) 930-BEST
BestPackaging.com**

Certified Refurbished Great Lakes TS37 Side Seal Horizontal Shrink Wrapper

The Great Lakes TS37 side seal horizontal wrapper is ideal for multi-packs and irregular shaped products. It is capable of wrapping up to 80 packages per minute. The continuous motion eliminates the need for multiple forming heads with its adjustable film inverter. The TS37 film path ensures equal transfer of grouped products onto the film without skewing the product configuration. The pouch length is electronically adjustable, which allows for “on-the-fly” bag length changes without changing the flight spacing. This machine uses single wound film, rather than centerfold film. The TS37 has a unique side sealing mechanism that ensures strong, attractive trim seals using polyolefin, PVC, or polyethylene shrink film. It uses a hot knife seal and cut-off, with a temperature control that maintains accurate heat settling. An independently driven scrap removal system compacts excess film. The machine has a sliding film rack which makes roll loading easy and reduces film changeover time. The film rack requires no additional floor space since it is located beneath the film forming table.

FEATURES

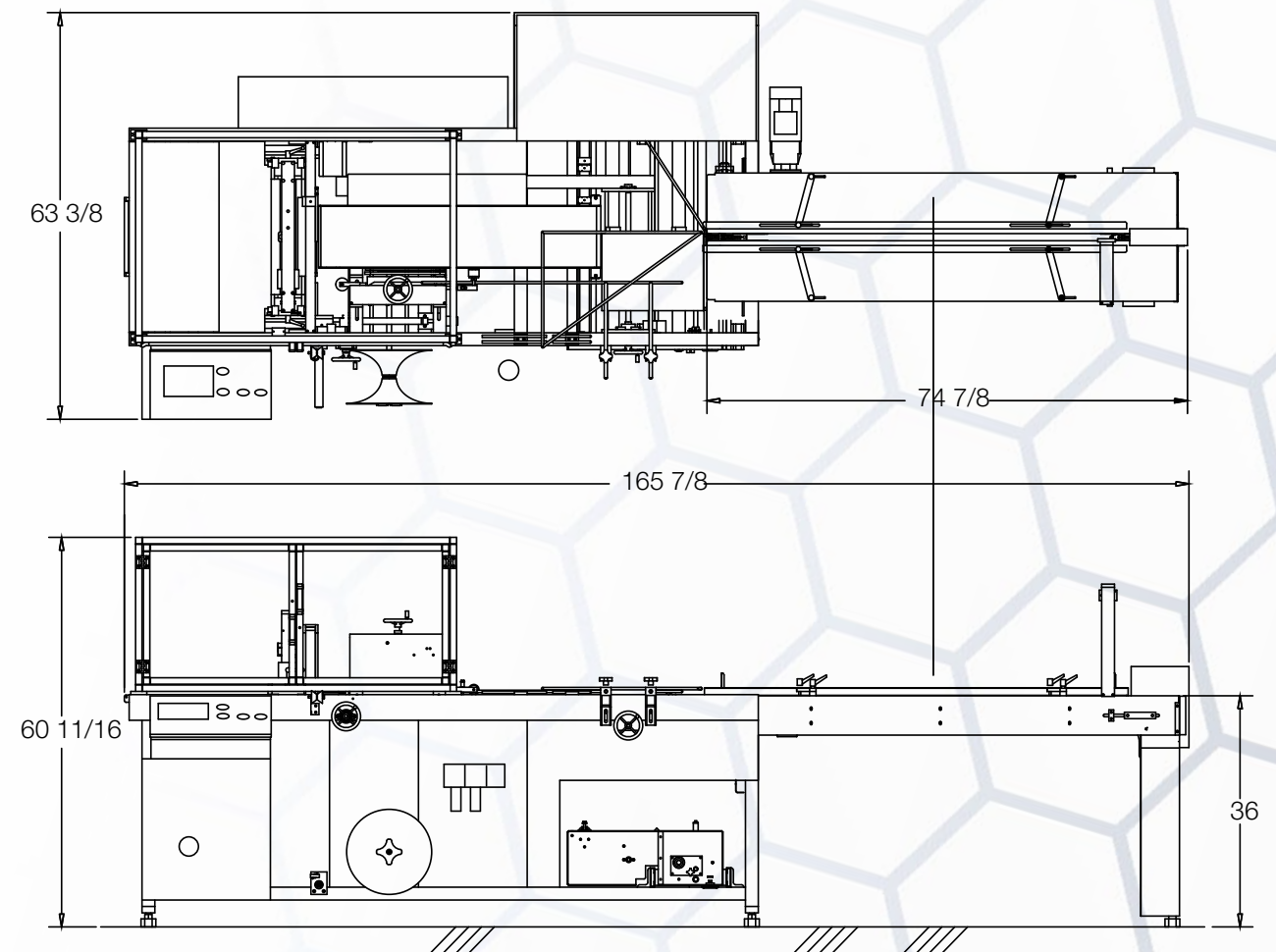
- Laser cut components for maximum precision
- Horizontal/vertical cross seal control box
- 6' flighted infeed with safety torque limiter
- Adjustable film inverting head
- Pneumatic hole punch system
- Heavy-duty rugged construction for high durability
- Steel-It paint provides scratch resistant surfaces and prevents corrosion
- Electrically interlockig guards and control box doors
- Continuous motion seal head for smooth product transitions
- Slide out film rack with needle wheel evactuation assembly
- Missing product detection
- NEMA 12 main electrical cabinet and controls
- Rapid hand wheel changeover
- Evenly wound scrap removal system compacts excess film scraps
- Relaxed film tension at cross seal
- Central point lubrication simplifies preventative maintenance
- Low film alert warns that a film changeover will soon be necessary

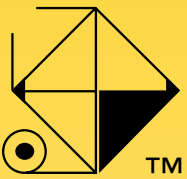
The detail of the product(s), descriptions or specifications (for example weight, color, size, etc.) are only approximate values based upon a "standard model" of the representative product(s)/feature(s). There may be slight variations in the actual product design, dimensions, and functionality as compared to the information shown on our website and/or any supplementary product documentation, including but not limited to product brochures and spec sheets.

Certified Refurbished Great Lakes TS37 Side Seal Horizontal Shrink Wrapper

Machine Specifications			
	Length	Width	Height
Overall Machine Dimensions	165 ⁷ / ₈ " (4213 mm)	63 ³ / ₈ " (1609 mm)	60 ¹¹ / ₁₆ " (1541.5 mm)
Max. Film Width	39" (991 mm) single wound		
Max. Package Height*	6" (152 mm)		
Max. Package Width*	16" (406 mm)		
Min. Package Length*	2" (51 mm)		
Max. Package Length*	∞		
Max. Film Roll Diameter	12" (305 mm)		
Speed	Up to 80 packages per minute		
Electrical Requirements	230 volts, 3 Phase, 22 amps		
Pneumatic Requirements	5 SCFM, 80 PSI		

* NOTE: max package dimensions cannot occur together





BEST PACKAGING®

WHY WE'RE THE BEST

Since 1997, we have been consulting, designing and implementing packaging solutions to offer the best for your operations. We represent a variety of equipment manufacturers, so as to ensure we're matching the right solution for your packaging needs. We only align ourselves with quality brands to make sure we are delivering the best value. It is our goal to provide the highest quality service to make your job easier and more productive.

Over 150 years of industrial experience, collectively.

We represent multiple brands and our analysis is unbiased. We can match the best systems with your needs based on the versatility of the job.

With preventative maintenance, operator training, and 24/7 support, we're with you every step of the way!

Steve Kudia, Owner of Best Packaging, serves on the ASTM committee. As part of a prestigious worldwide network of technical experts, he aims to make sure processes stay efficient by monitoring trends and educating customers on how they can improve their performance.

Equipment We Sell & Service

Stretch Wrappers

Shrink Wrappers

Tray and Case Loaders

Tray & Case Erectors

Corrugated Case Formers

Conveyors

Palletizers

Robotics

Strappers & Banders

Much, much more!



@BestPackagingInc



@Best_Packaging



/Best-Packaging-Inc